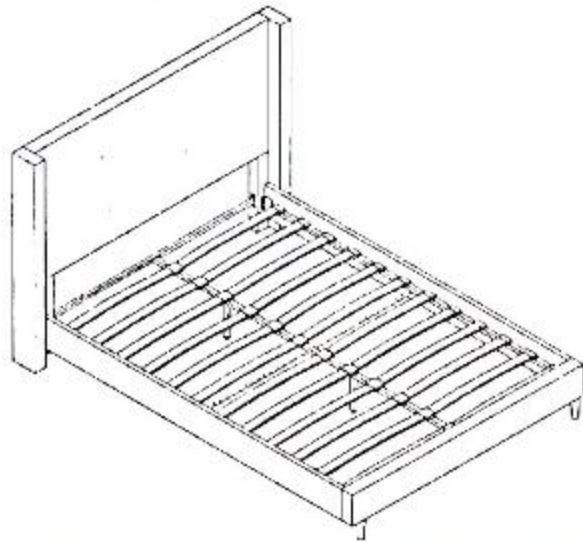
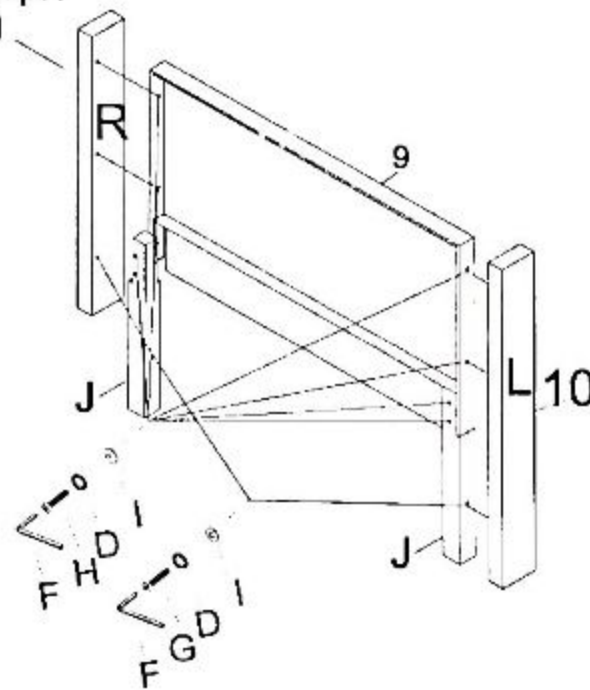


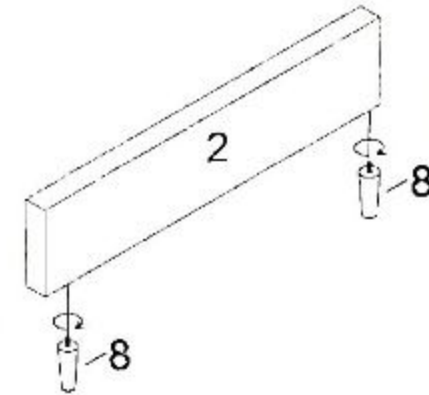
ASSEMBLY INSTRUCTIONS
ITEM NO: MLM-170960 QUEEN




















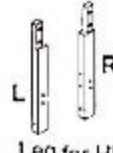

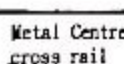


Step:1
10

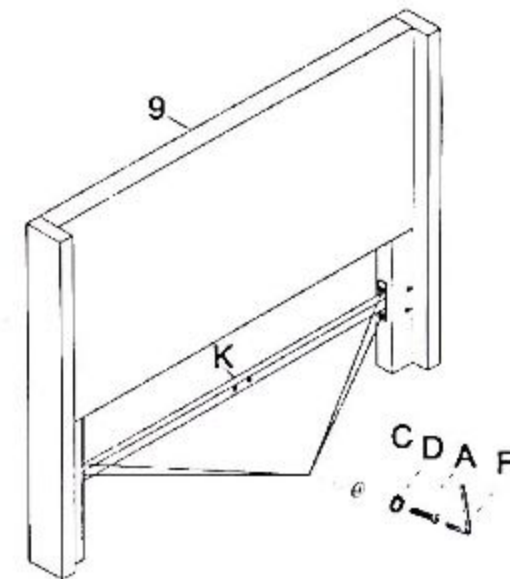


Step:2



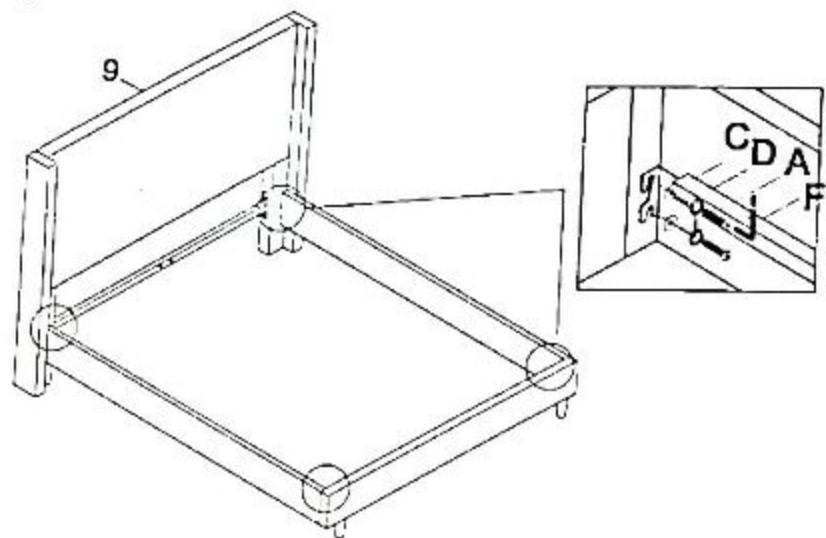
| | | | | |
|---|---|--|--|--|
|  Side rail 1 2PCS |  Footboard 2 1PC |  Center bar 3 1PC |  Center leg 4 2PCS |  Plastic cap 5 12PCS |
|  Plastic cap 6 24PCS |  Slat 7 24PCS |  Wood leg 8 2 PCS |  Headboard 9 1 pc |  Wing 10 2PCS |
|  Bolt A 5/16"•1-1/2" 14 PCS |  Nut B 5/16"•12mm 9 PCS |  Flat washer C 5/16"•19MM 23 PCS |  Springwasher D 33PCS |  Box wrench E 1PC |
|  Allen key F 1PC |  Bolt G 5/16"•4" 2PCS |  Bolt H 5/16"•2" 17PCS |  Flat washer I 5/16"•22MM 10 PCS |  Leg for HB J 2PCS |
|  Slat K 1PC |  Metal Centre cross rail L 1PC | 1/5 | | |

Step:3

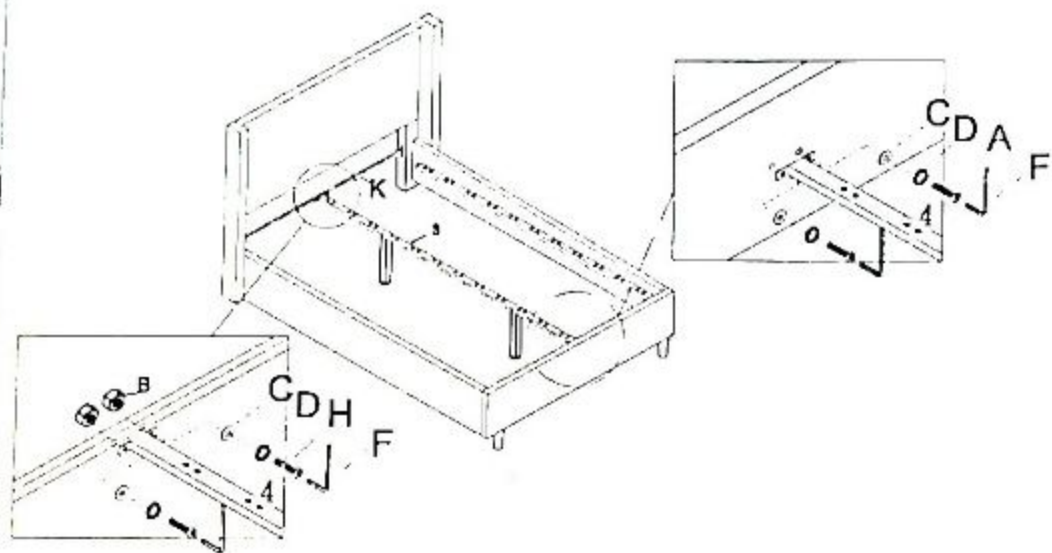


2/5

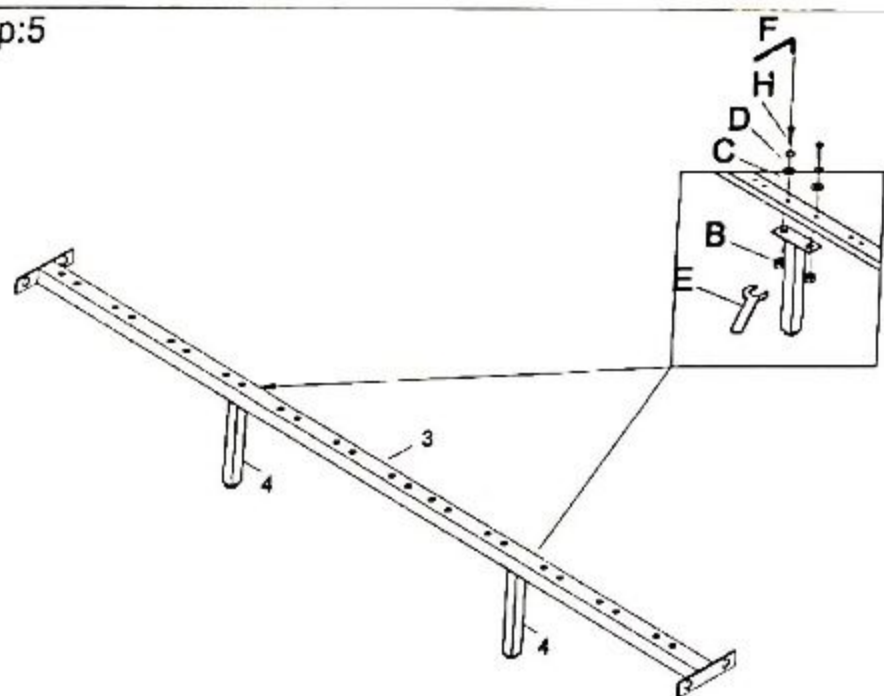
Step:4



Step:6

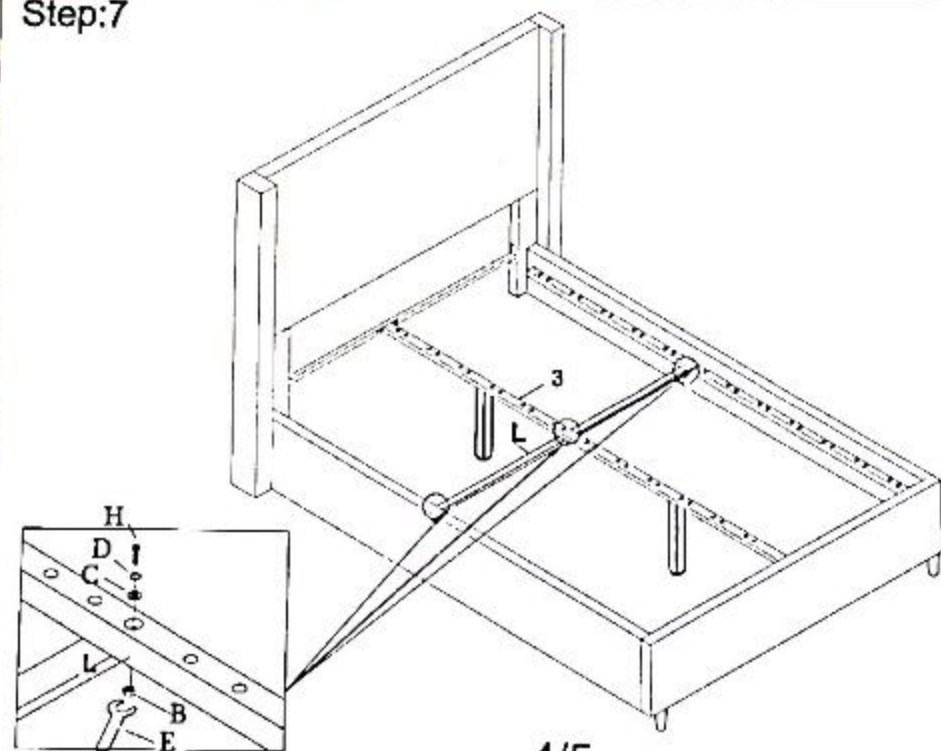


Step:5



3/5

Step:7



4/5

